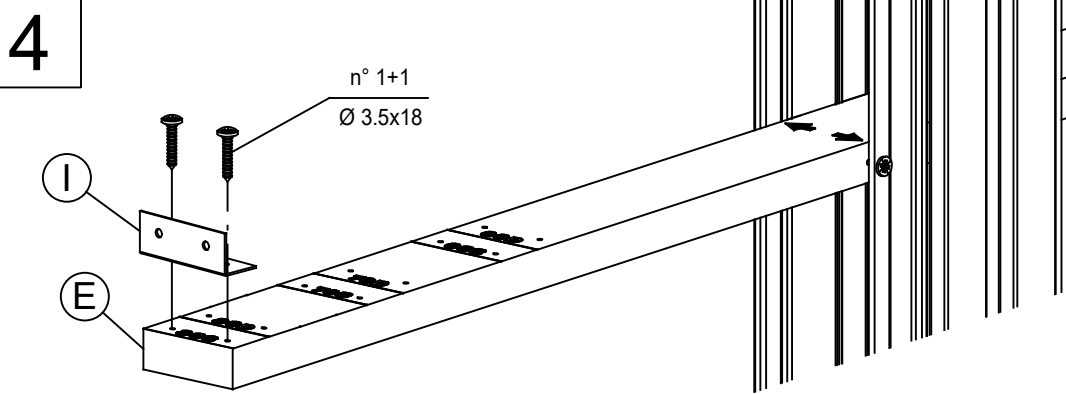
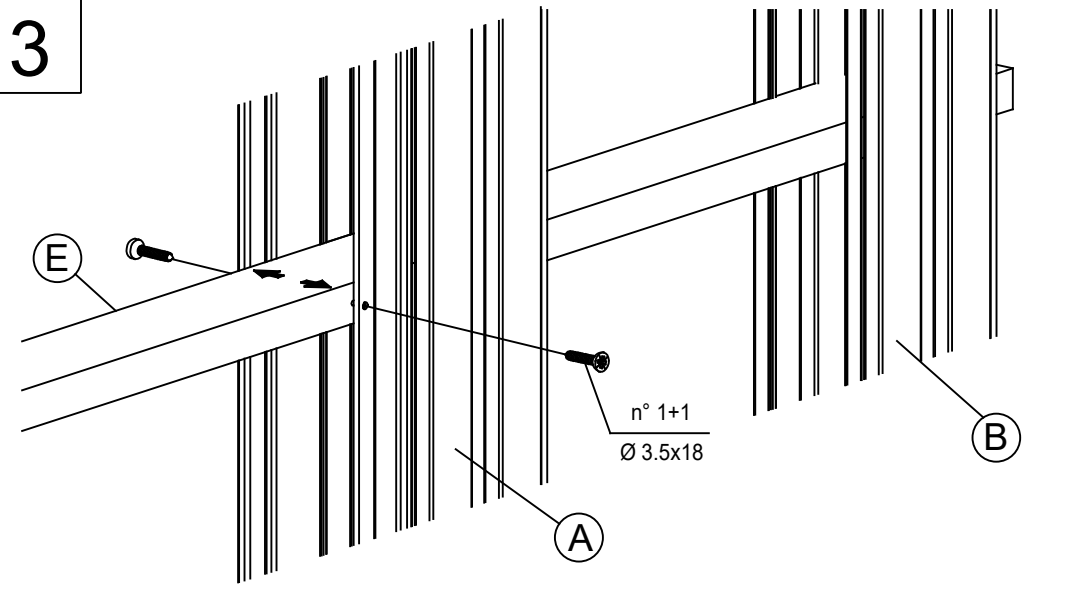
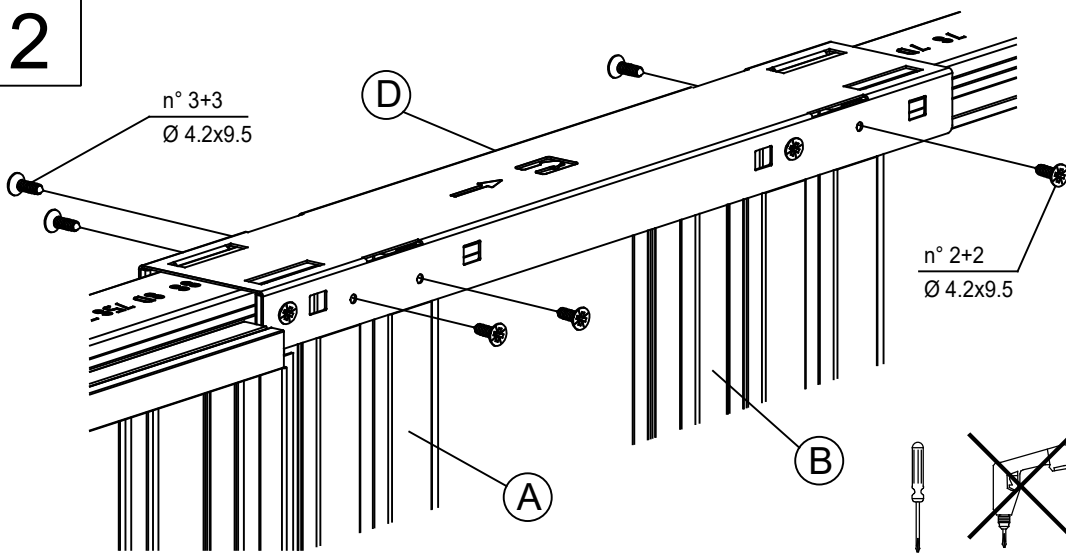
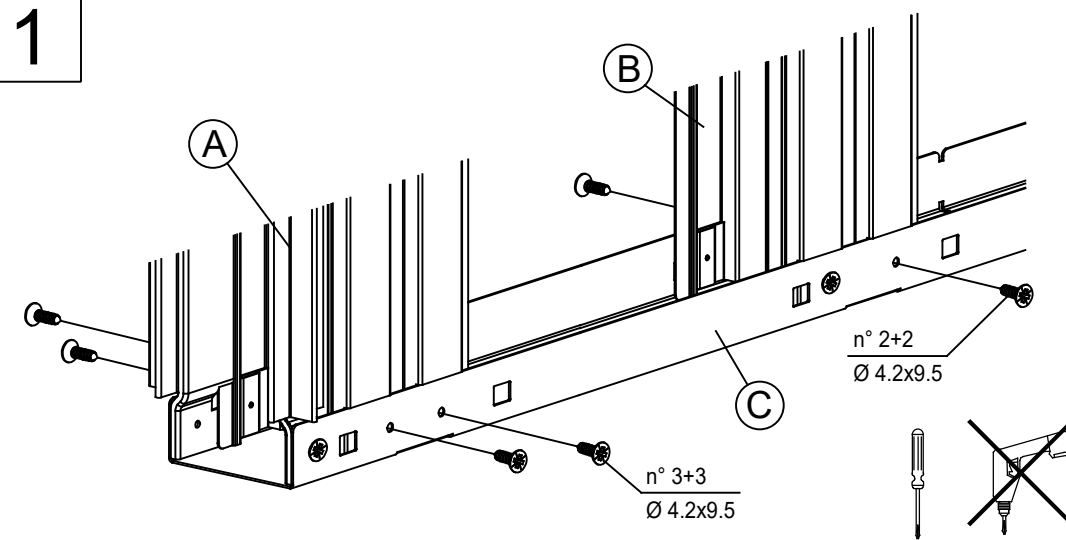
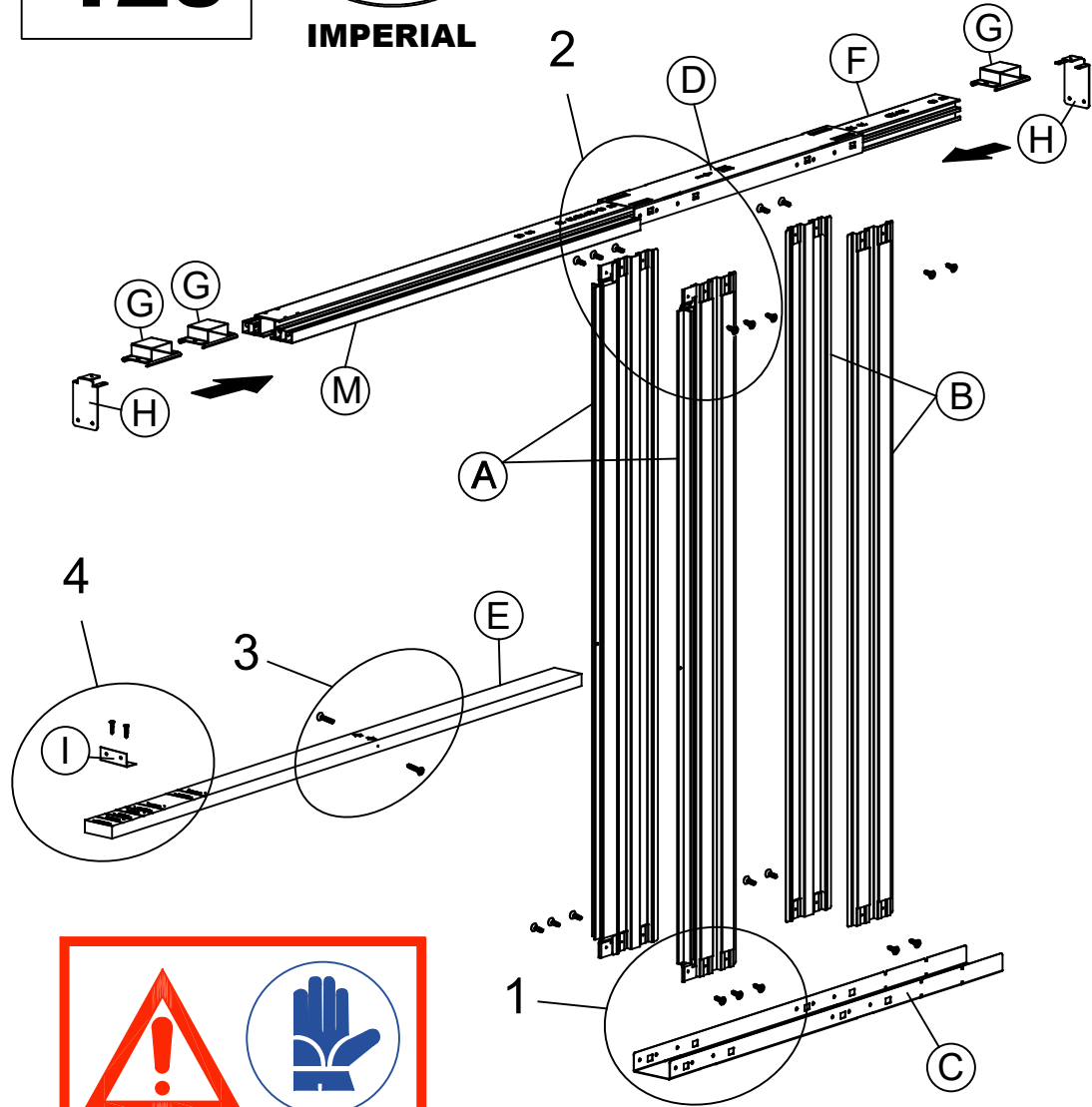


**125**

**UK**  
IMPERIAL



**SIZE CHANGES**

**DIMENSIONS FOR 580/656/732 SINGLE DOOR KIT**

TRACK AND SPACER CUT	DOOR SIZE	CLEAR OPENING SIZE	LENGTH OF "C"	OVERALL SPACE
	Lp	L	Lc	Li
1S	24" / 610 mm	580	595	1230
2S	27" / 686 mm	656	671	1382
* 3S	30" / 762 mm	732	747	1534

**DIMENSIONS FOR 808/884 SINGLE DOOR KIT**

TRACK AND SPACER CUT	DOOR SIZE	CLEAR OPENING SIZE	LENGTH OF "C"	OVERALL SPACE
4S	33" / 838 mm	808	823	1686
* 5S	36" / 914 mm	884	899	1838

**DIMENSIONS FOR 580/656/732 DOUBLE DOOR KIT**

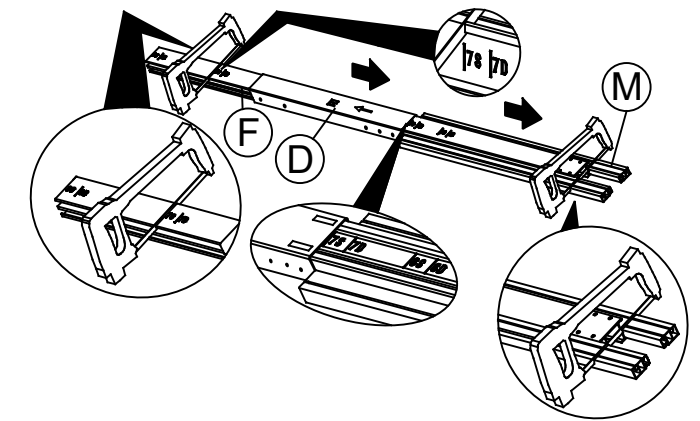
TRACK AND SPACER CUT	DOOR SIZE	CLEAR OPENING SIZE	LENGTH OF "C"	OVERALL SPACE
	Lp	L	Lc	Li
1D	24" / 610 mm x 2	1160	595	2405
2D	27" / 686 mm x 2	1312	671	2709
3D	30" / 762 mm x 2	1464	747	3013

**DIMENSIONS FOR 808/884 DOUBLE DOOR KIT**

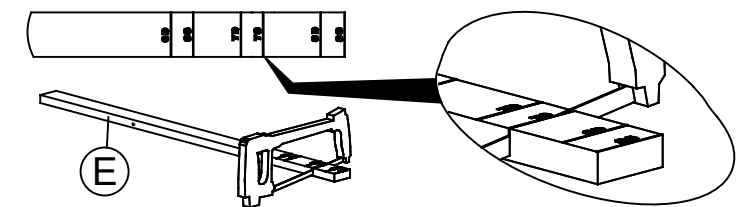
TRACK AND SPACER CUT	DOOR SIZE	CLEAR OPENING SIZE	LENGTH OF "C"	OVERALL SPACE
4D	33" / 838 mm x 2	1616	823	3317
5D	36" / 914 mm x 2	1768	899	3621

\* standard size in the kit purchased

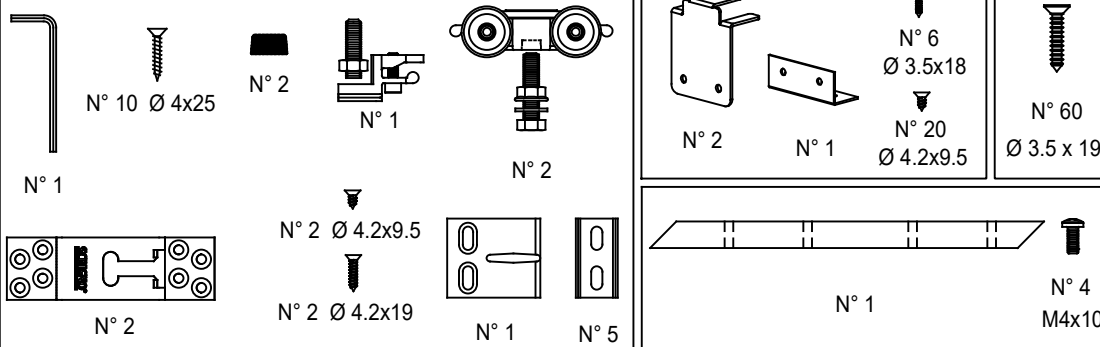
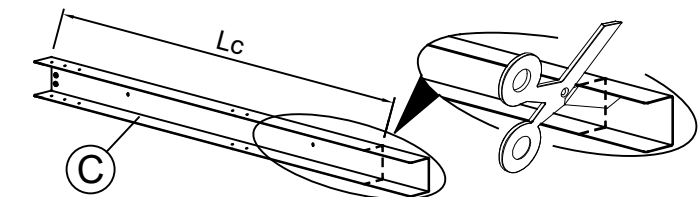
Cut track "F" to the desired size on the rear side. Cut PVC profile bars "M" on the front side.



Cut the wooden spacer "E" at the desired size (see chart).



Cut the sheet metal profile bar "C" to be positioned on floor (see chart).

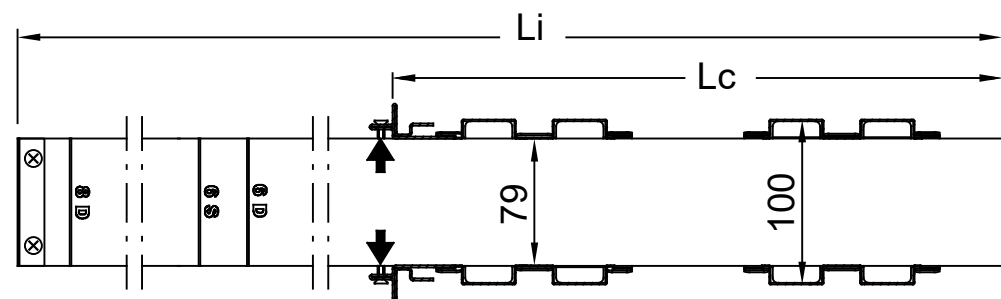
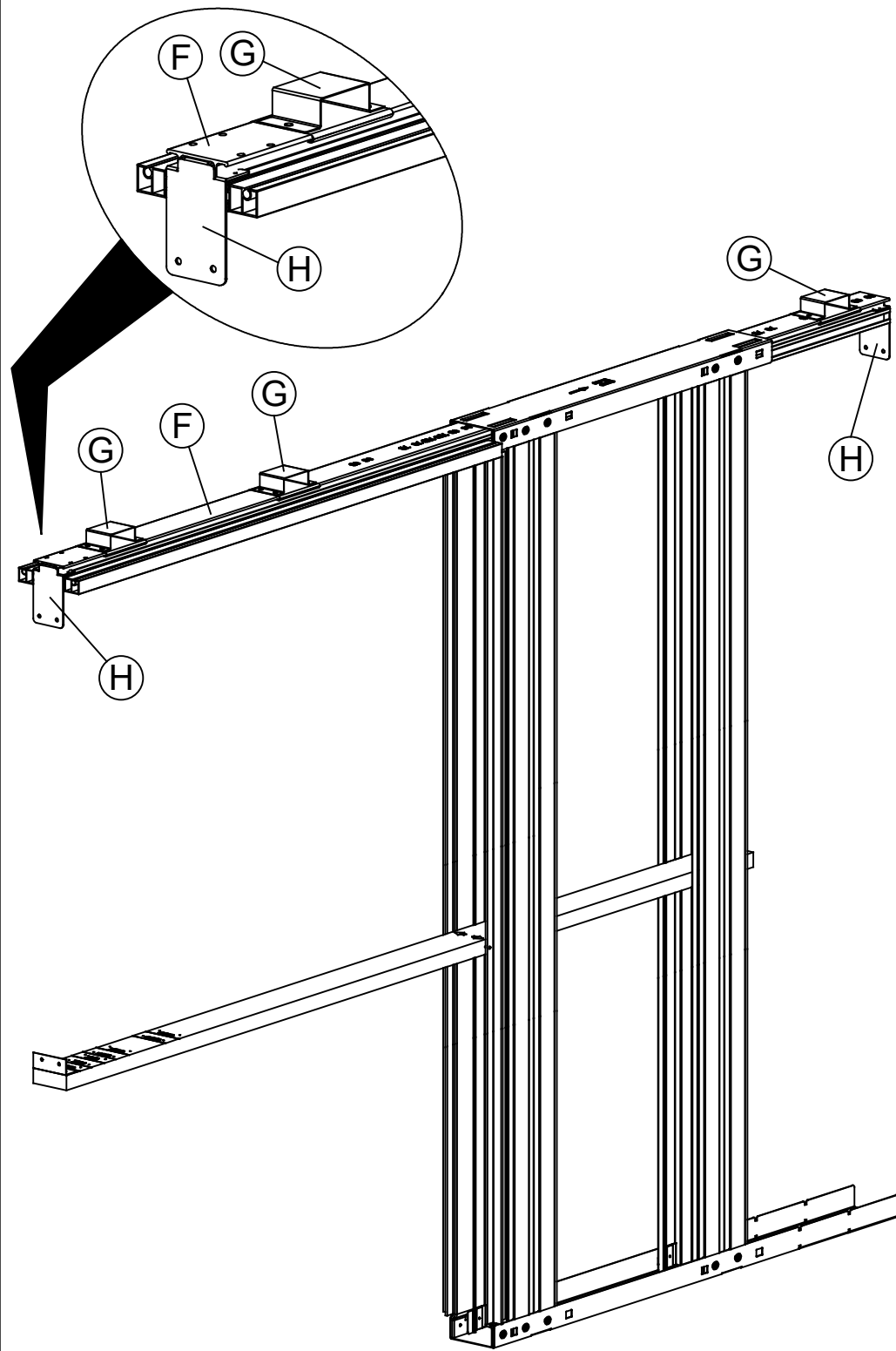


**Check that the kit includes all components shown in the diagram.**

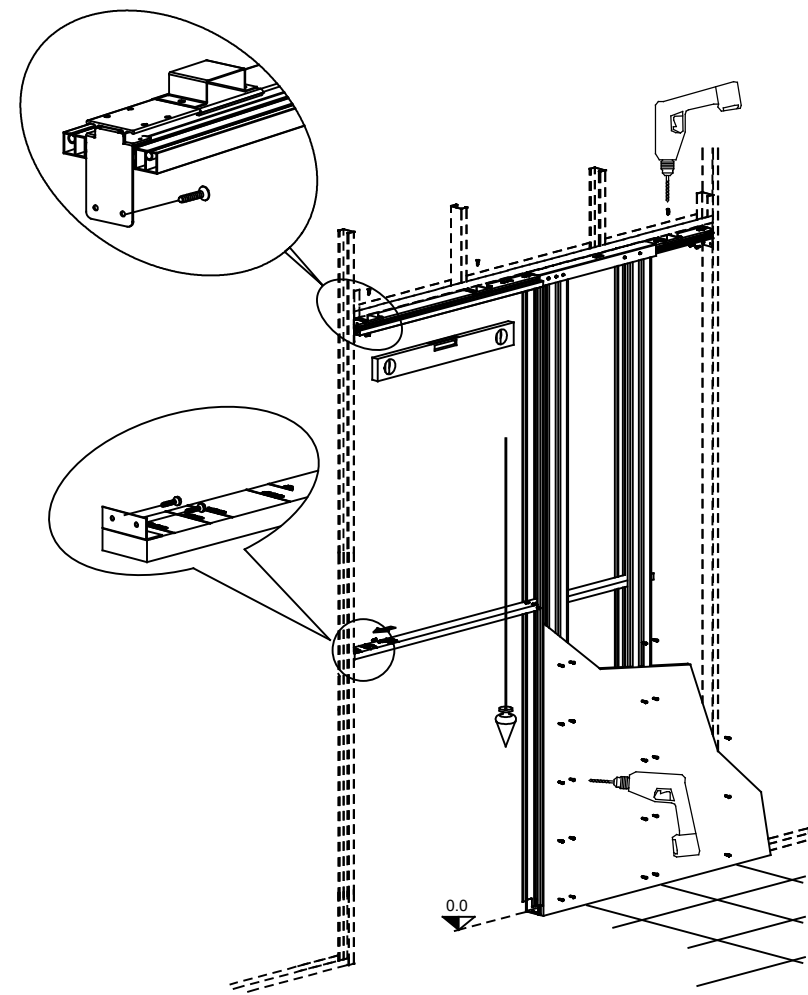
The information given in this document is for descriptive purposes only. SCRIGNO S.p.A. will not be held responsible for any inaccuracies caused by printing errors, transcription errors or for any other reason, and reserves the right to make modifications, without giving prior notice, for the improvement of its products. The reproduction, including the partial reproduction, of this document is severely prohibited within the terms of the Law.

5

Insert supports "G" and "H" into the aluminium track "F"



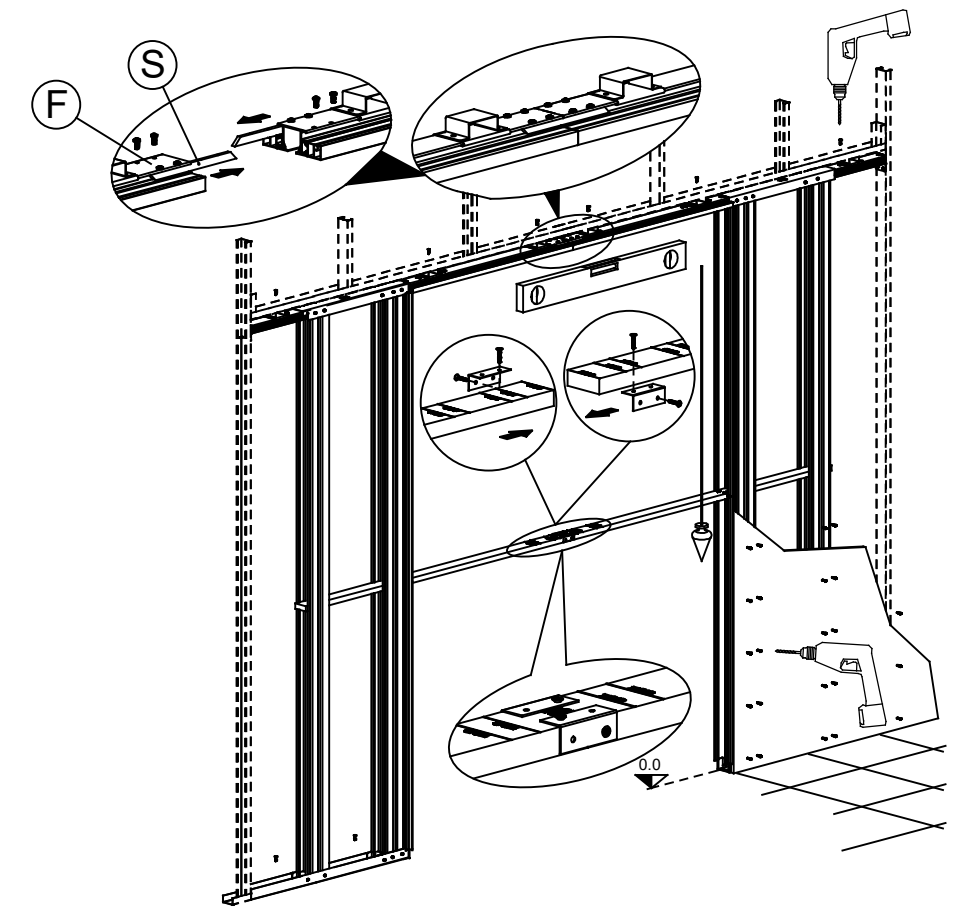
SINGLE DOOR



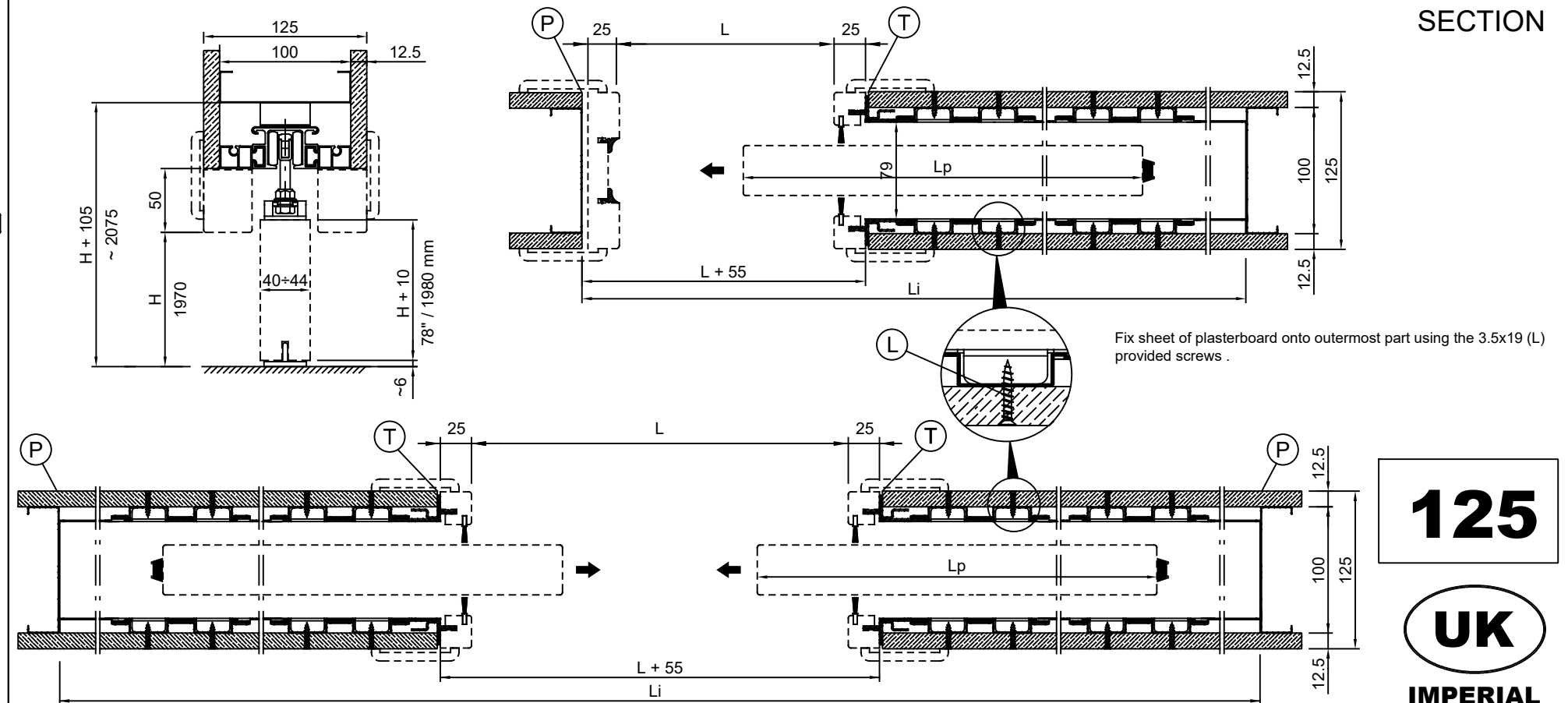
NEW BUILDINGS Create support points at floor level and check alignment between box (T) and wall (P) and correct vertical and horizontal position. Fix box. CAUTION: Do not install the box higher than the finished floor. FLOOR ALREADY PRESENT Place the frame on finished floor. Check alignment between box (T) and wall (P) and correct vertical and horizontal position. Fix box.

DOUBLE DOOR

Fix pins "S" to tracks "F" using the provided screws. Position the two boxes with the track already inserted against each other. Join the guides and the two spacers as shown in the diagram.



SECTION



Fix sheet of plasterboard onto outermost part using the 3.5x19 (L) provided screws .

125

UK IMPERIAL